

Pressure relief valve, direct controlled DN 12 for water and oil max. 650 bar



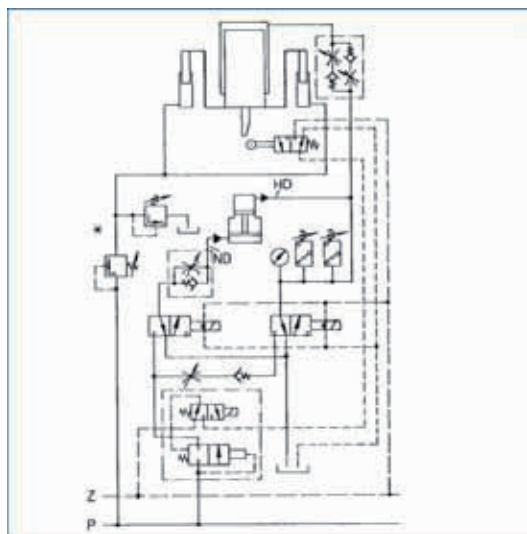
TECHNICAL DATA

Description Pressure limiting valves are used to limit a system pressure in the hydraulics. They were specially developed for water hydraulics. Using these pressure limiting valves post-connected valves or cylinders can be supplied with a continuously controllable reduced pressure in accordance with the circuit diagram. Pressure limiting valves are sealed by pressing two metal cones against one another. The max. working pressure should not exceed 650 bar.

Special features

The pressure limiting valve responds without delay when the preset system pressure is exceeded. It can be supplied for various different pressure levels. Within each pressure level it can be set continuously and finely on the spring column. A possible lead seal protects against unauthorized adjustment. All wear parts are made of corrosion resistant materials, easy to access and fast to replace. The mounting position can be freely chosen.

Mounting example



* Mounting example

Construction type

Cone seat valve

Mounting

Plate mounting

Line connections

Via mounting plate

Mounting position

any

Sealing on the connection surface

O-rings

max. operating pressure

650 ba

Pressure fluid

HFA or non-lubricated water

Seal on the seat

Metal to metal

Flow direction

from „P“ to „A“

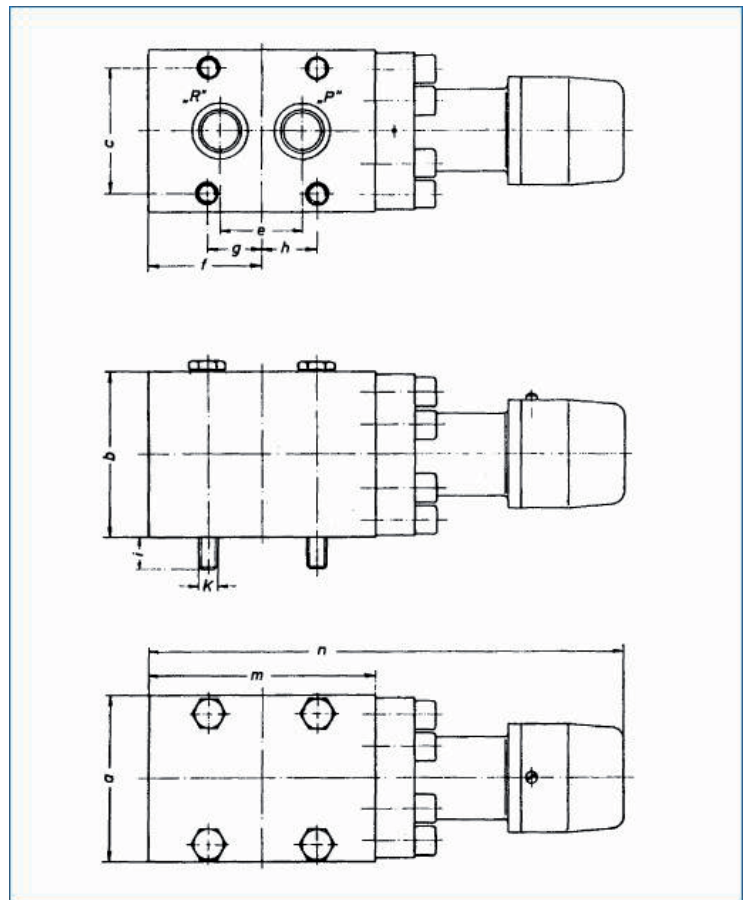
Fluid temperature

+5°C to +55°C

max. perm. flow rate

160 l/min

dimensional drawing



NG	P	R	Z	a	b	c	d	e	f	g	h	i	k	l	m	n
12	12	12		60	50	46		50	55	30	30	10	M8		110	207

P = infeed R = return O-ring seal for ports/connections P = 15x2,5 R = 15x2,5