

PRESSURE RELIEF VALVE, DIRECT CONTROLLED DN 6 AND DN 10 FOR WATER AND OIL MAX. 320 BAR



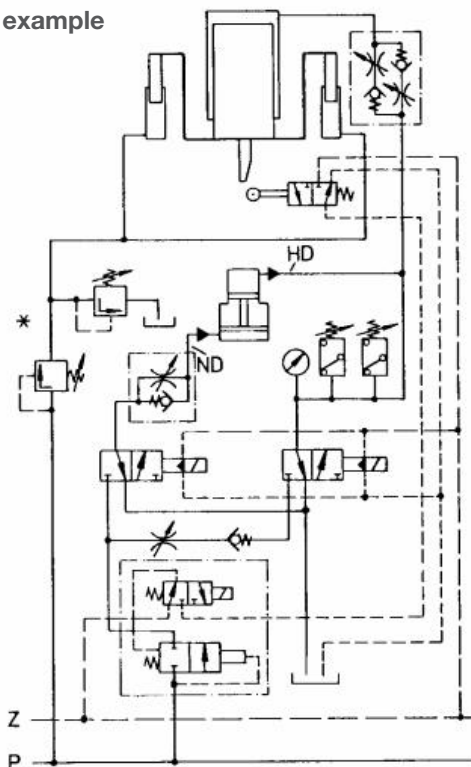
TECHNICAL DATA

Pressure limiting valves are used to limit a system pressure in the hydraulics. They were specially developed for water hydraulics. Using these pressure limiting valves post-connected valves or cylinders can be supplied with a continuously controllable reduced pressure in accordance with the circuit diagram. Pressure limiting valves are sealed by pressing two metal cones against one another. The max. working pressure should not exceed 320 bar.

Special features

The pressure limiting valves are secured against auto-turning by means of locknuts. The pressure limiting valves can be supplied as fitted or mounting valves. All wear parts are made of corrosion resistant materials, easy to access and fast to replace. Pressure limiting valves can be mounted in any position.

Mounting example

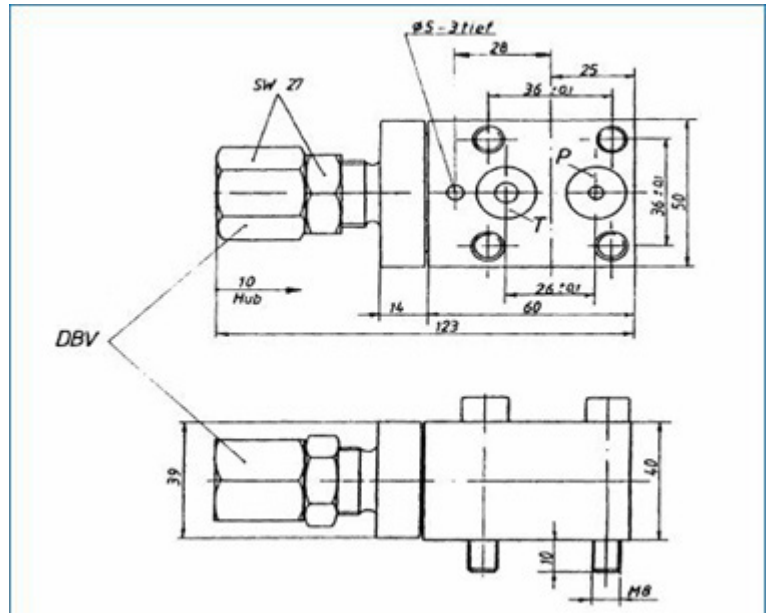


* pressure limiting valve

FITTED DIMENSIONS DBVE

| pressure level | type or order No. | symbol |
|----------------|-------------------|--------|
| 150 - 350 bar | DBV - 22447 | |
| 10 - 150 bar | DBV - 22425 | |
| 10 - 160 bar | DBVE - 32748 | |
| 150 - 350 bar | DBVE 32757 | |

connections / ports P = O-ring 12x2,5 T = O-ring 12x2,5



FITTED DIMENSIONS DBVE

| pressure level | type or order No.. | symbol |
|----------------|--------------------|--------|
| 0 - 180 bar | DBV - 203358 | |
| 180 - 350 bar | DBV - 231445 | |

