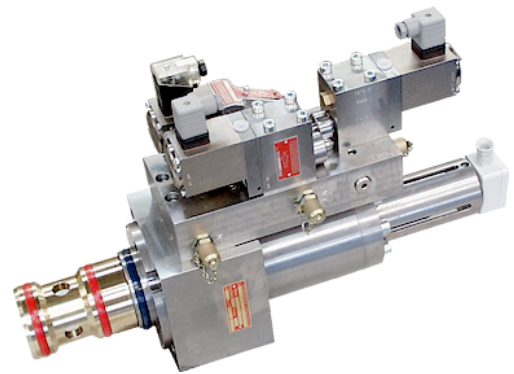


2/2 dir. contr. proportional valve for water and oil hydraulics

DN 25 to 100, operating pressures up to 320 bar

- Pilot-controlled proportional valves
- Pilot-control by means of own medium
- Leakage-free sealing on valve seat
- Force-controlled working piston
- Smooth switching, no shock impacts
- Wear parts are easy to access and fast to replace

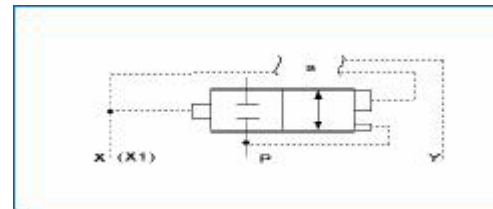


TECHNICAL DATA

- Actuation magnet is protected against dirt and humidity
- The proportional valve can be driven by a position control card BLS1 only

The 2/2 directional control proportional valves are particularly suitable for HFA liquids and clear water up to operating pressures of 320 bar maximum.

Via proportional pilot-control valves, the volume flow through the opening cross-section and the pressure difference on the valve are determined.



Type

Fitted seat valve

Pilot-control press.

=system pressure, min. 25bar

Contr.medium

Own medium

Press. fluid

HFA acc. to CETOP or VDMA standard sheet 24320 with 95% water and 5% Additives, non-lubricated water (clear water), min. oil acc. to DIN 51524 and 51525

Contr. medium return

separate and depressurized into the tank

Max. operating pressur

320bar

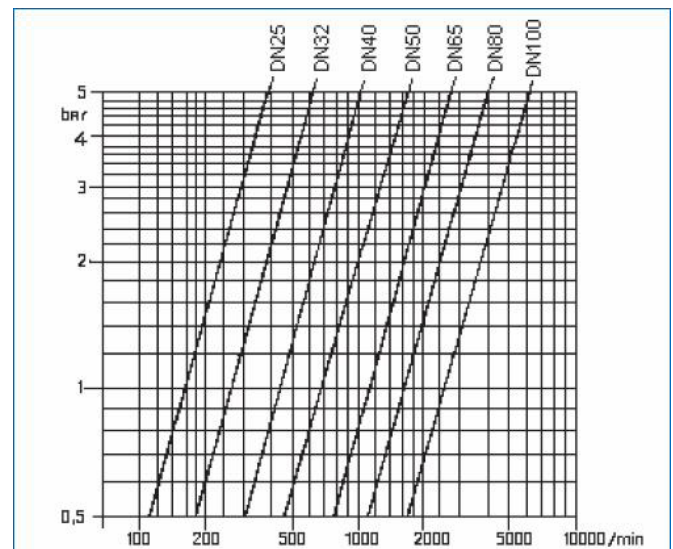
Flow see

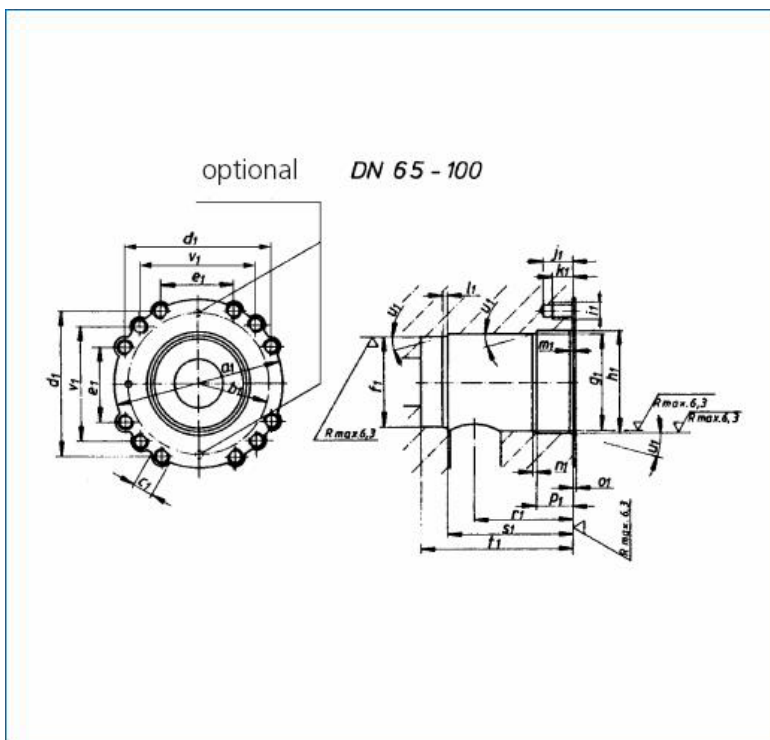
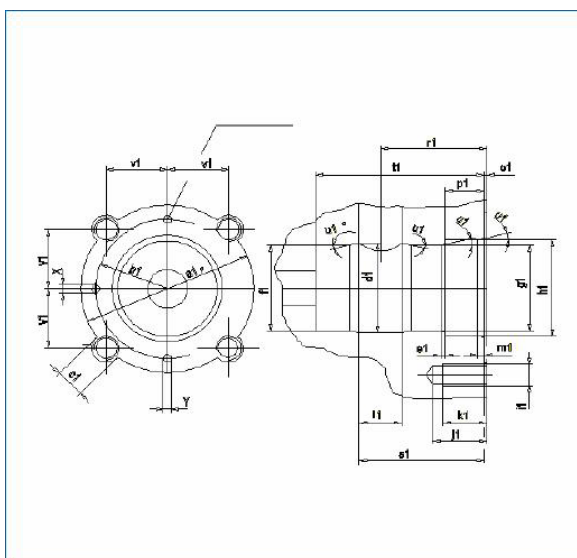
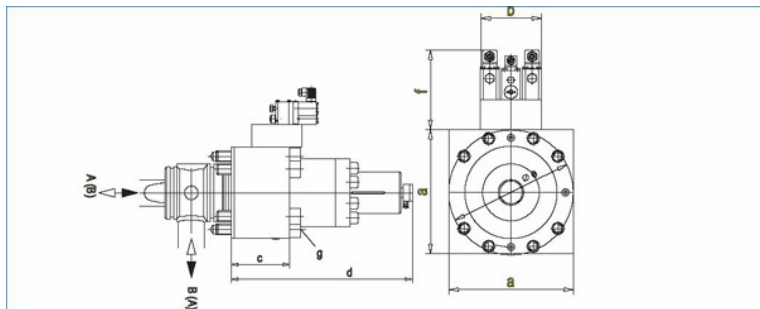
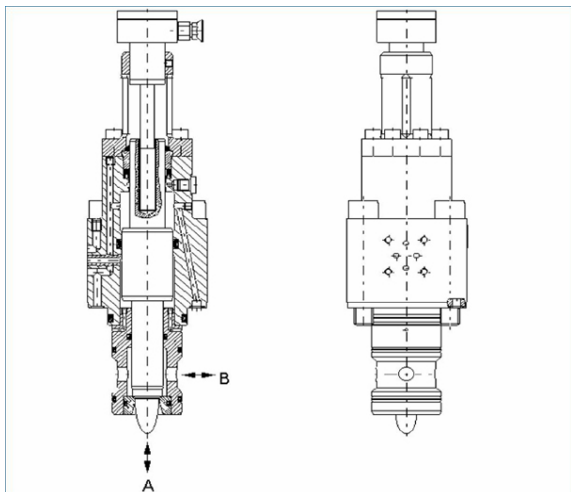
Table 1

Fluid

Temperature 5°C to 45°C

Table 1





DN	A	B	X	Y	a	b	c	g+15	e	f	Schrauben		a ₁	b ₁	c ₁	d ₁	e ₁	f ₁	g ₁	h ₁	i ₁	j ₁	k ₁	l ₁	m ₁	n ₁	o ₁	p ₁	r ₁	s ₁	t ₁	u ₁	v ₁		
											St	Gew	DH	Material																					
16	e16	e16	e3,3	e3,3	70	40	85	164	70	102	4	M10	912	8,8	a70	R29	e12	e42	2	H7	H7	H7	M10	22	18	16	2,5	-	1	15	41	48	66	15°	24,75
20	e20	e20	e3,3	e3,3	85	40	85	191	85	102	8	M12	912	8,8	a85	R35	e14	e52	3	H7	H7	H7	M12	21	17	20	2,5	-	1	20	53	62	82	15°	33,9
25	e25	e25	e6	e6	95	50	95	208	93	115	4	M12	912	12,9	a95	R39	e14	e59	2,5	H7	H7	H7	M12	22	18	25	3	-	1	25	61	72,5	95	15°	35,36
32	e32	e32	e8	e8	120	50	100	247	118	115	4	M20	912	10,9	a120	R50	e22	e72	5	H7	H7	H7	M20	28	24	32	4	-	1	30	76	91	120	15°	43,13
40	e40	e40	e8	e8	150	50	112	283	148	115	4	M24	912	10,9	a150	R62	e26	e88	5	H7	H7	H7	M24	31	32	40	4	-	1	35	91	110	140	15°	54,8
50	e50	e50	e9	e9	175	50	131	341	173	115	4	M30	912	8,8	a175	R72	e32	e105	5	H7	H7	H7	M30	41	34	50	5	-	1	40	101	125	160	15°	62,2